

### BDLG ratchet type screen changers



CLEAN DESIGN, USER FRIENDLY,  
EXCELLENT COMPACTNESS:  
THE TECHNICAL EVOLUTION FOR  
MANUAL SCREEN CHANGERS.

More than a natural evolution of the BDL, the BDLG stands for an extremely clean design, result of careful engineering, granting excellent compactness.

Available with filtering areas from Ø 35 to Ø 250 mm, represents a high quality choice among the manually operated screen changers.

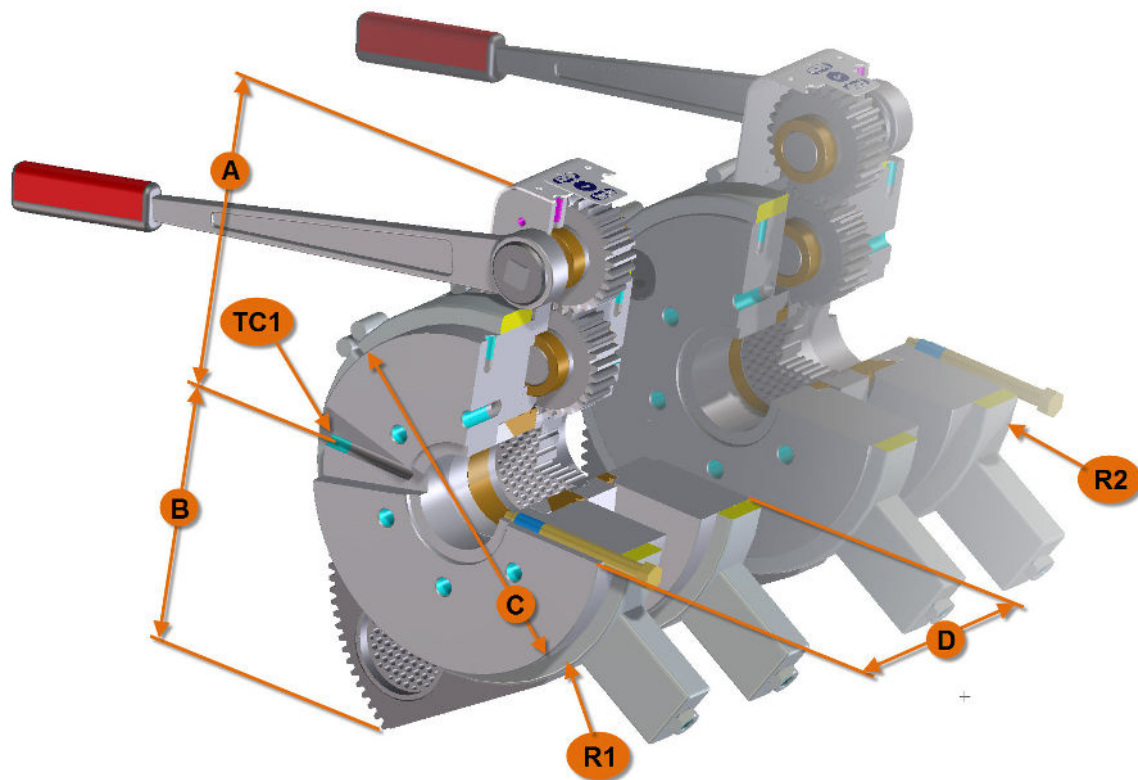
The movement of the sliding plate is given through a series of gear wheels, driven by a simple reversible ratchet which allows to minimize the overall dimensions of actuation.

The favourable reduction ratio makes the movement of the plate smooth and effortless, even with large filtering areas.



Suitable for the production of:

- Blown or Cast films
- Flat sheet
- Pipes and profiles
- Cable coating
- Masterbatch and compound pelletizing
- Blow and injection moulding



BDLG main dimensions														
FILTERING MASS	Flow dimensions				SCREEN DIMENSIONS			Overall dimensions					Heating Power	FILTERING MASS
	Flow	S/C Free Area	S/C Nominal Area	SCREEN $\phi$ [mm]	SCR. Housing $\phi$ [mm]	SCR. Housing DEPTH [mm]	A [mm]	B [mm] mm	$\phi$ C [mm] mm	D [mm] mm	Weight kg	$\phi$ [mm]		
$\phi$ [mm]	[kg/h]													
35	25-45	4,7 cm <sup>2</sup>	10 cm <sup>2</sup>	36	37	2	169	150	$\phi$ 180	146	40	W1200	45	
45	30-80	7,5 cm <sup>2</sup>	16 cm <sup>2</sup>	46	47	2	225	219	$\phi$ 245	184	70	W2600	45	
50	35-85	9,9 cm <sup>2</sup>	20 cm <sup>2</sup>	51	52	2	225	219	$\phi$ 245	184	70	W2600	50	
60	60-150	13,8 cm <sup>2</sup>	28 cm <sup>2</sup>	62	63	2	225	219	$\phi$ 245	184	70	W2600	60	
65	70-175	16,4 cm <sup>2</sup>	33 cm <sup>2</sup>	67	68	2	225	219	$\phi$ 245	184	70	W2600	65	
75	80-200	22 cm <sup>2</sup>	44 cm <sup>2</sup>	77	78	2	240	251,5	$\phi$ 270	199	90	W3400	75	
80	110-290	28 cm <sup>2</sup>	57 cm <sup>2</sup>	83	84	2	240	251,5	$\phi$ 270	199	90	W3400	80	
90	120-300	30 cm <sup>2</sup>	64 cm <sup>2</sup>	93	94	2	280,5	301	$\phi$ 320	228	150	W5500	90	
100	140-350	37 cm <sup>2</sup>	79 cm <sup>2</sup>	103	104	3	280,5	301	$\phi$ 320	228	150	W5500	100	
120	200-500	54 cm <sup>2</sup>	113 cm <sup>2</sup>	123	124	4	306	352	$\phi$ 380	230	240	W6600	120	
160	350-800	96 cm <sup>2</sup>	201 cm <sup>2</sup>	163	164	4	328,5	440	$\phi$ 444	275	340	W8400	160	

TC1 Thermocouples